

Splitter / Combiner RFSCF505-108

Features:

- Economical
- Small & Rigid design
- High Isolation
- Low Insertion Loss

Description:

The RFSCF505-108 is a 2-way 0° Power Splitter / Combiner. The operational performance and size of this product are distinctive. This product can be used in a range of system and subsystem designs due to the excellent phase, amplitude imbalance and Low Insertion Loss.

Applications:

- ISM
- WLAN
- GSM
- LORA/ZigBee

Optional Accessories:

- SMA(M) to SMA(M) 50 Ohms cable as per User's requirement (L) (Figure. 1)

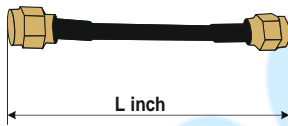


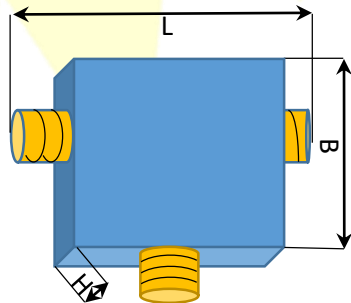
Figure 1



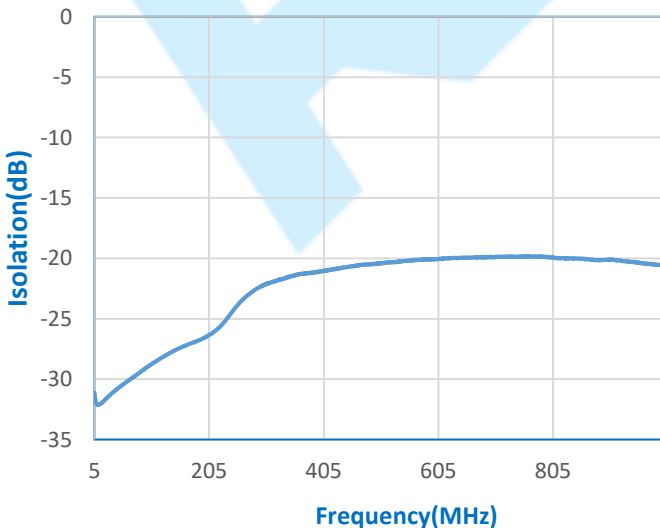
Electrical Specifications:

Frequency Range:	5 to 1000 MHz
Insertion Loss:	-1.3dB
Input Power:	
Sum Port:	+20dB (Max.)
Port 1:	+27dB (Max.)
Port 2:	+27dB (Max)
Isolation:	Min. 15dB
Return Loss (PORT 1):	Min. 15dB
Return Loss (PORT 2):	Min. 15dB
Operating temperature:	0 °C to 50 °C
In/Out Connector:	SMA Female Flange Mount

Mechanical Specifications:

Dimension (mm):	 <p>(L) = 61.5 (B) = 42.9 (H) = 16.9</p>
Shape:	Rectangular cuboidal Shape
Weight:	55 gm

FREQUENCY VS ISOLATION



FREQUENCY VS RETURN LOSS

